



DEPARTMENT OF
ENVIRONMENTAL PROGRAMS

Worcester County

GOVERNMENT CENTER
ONE WEST MARKET STREET, ROOM 1306
SNOW HILL, MARYLAND 21863
TEL: 410.632.1220 / FAX: 410.632.2012

LAND PRESERVATION PROGRAM
STORMWATER MANAGEMENT
SEDIMENT AND EROSION CONTROL
SHORELINE CONSTRUCTION
AGRICULTURAL PRESERVATION
ADVISORY BOARD

WELL & SEPTIC
WATER & SEWER PLANNING
PLUMBING & GAS
CRITICAL AREAS/FORESTRY
COMMUNITY HYGIENE

August 4, 2020

This notification is to advise you that the Department has received and is presently reviewing the following request for a shoreline construction project:

Timothy Demarest - Request No. 2020-057 – Request to construct a 6' x 40' pier with a 10' x 20' "L" shaped platform and install two (2) boatlifts and two (2) PWC lifts with associated pilings not to exceed 65' channelward. This project is located at 12226 Greenridge Lane Road, also known as Tax Map 26, Parcel 328, in the Tenth Tax District of Worcester County, Maryland.

The Department in considering this application will make specific findings of fact with regard to the environmental impact, navigational impact, recreational potential, commercial benefit to Worcester County, impact of the proposed construction upon the surrounding neighborhood and upon property values therein, and any other pertinent issues. Approval from the Department does not guarantee approval from any other applicable regulatory agencies.

If you have an interest, which may be adversely affected by the issuance of this permit, you are requested to notify this Department in writing within fifteen (15) calendar days, which will end on August 19, 2020.

Sincerely,

Joy S Birch

Natural Resources Specialist III

cc: Interested Parties
File



WORCESTER COUNTY SHORELINE CONSTRUCTION APPLICATION

Request No.: 2020-057 Submission Date: 6/11/20

Major Construction (\$300.00) Minor Construction (\$150.00)

Written Description of Proposed Improvement (include channelward distance):

Install a 6' x 40' pier, a 10' x 20' platform, two (2) boat lifts and two PWC lifts with all associated poles, Maximum channel ward extension of 65'

Property Description:

Map: 0026 Parcel: 0328 Lot: Section: Block: Tax District: 10 Street Address: 12226 Greenridge Lane Road, W. Ocean City, MD 21842 Subdivision: 73Z4 Dwelling on lot: Dwelling under construction: Vacant: Commercial:

Owner: Timothy Demarest Phone No. Mailing Address: 12705 Dumfries Road, Manassas, VA 20112 E-Mail Address: timdemarest@gmail.com

Contractor: Newport Bay Marine Construction Phone No.: 724-372-3201 Mailing Address: South Main St., Berlin, MD 21811 E-Mail Address: info@newportconstruction.com

Recorded Adjacent Property Owner: Mark Odachowski Property Address: Greenridge Lane Road, Ocean City, MD 21842 Tax Map: 0026 Parcel: 0191 Lot: Section: Block:

Recorded Adjacent Property Owner: Arthur Cranston Property Address: 12225 Greenridge Lane Road, Ocean City, MD 21842 Tax Map: 0026 Parcel: 0335 Lot: Section: Block:

As the applicant, I attest that the information presented on this application, site plan and any written documentation attached hereto is known to be accurate. I understand that the proposed shoreline improvement will be constructed to meet or exceed minimum design standards adopted by the Department. Any deviation from these standards will require construction plans sealed by an engineer registered in the State of Maryland. I acknowledge that any falsification of information presented may result in revocation of this approval and of the subsequent Shoreline Construction Permit.

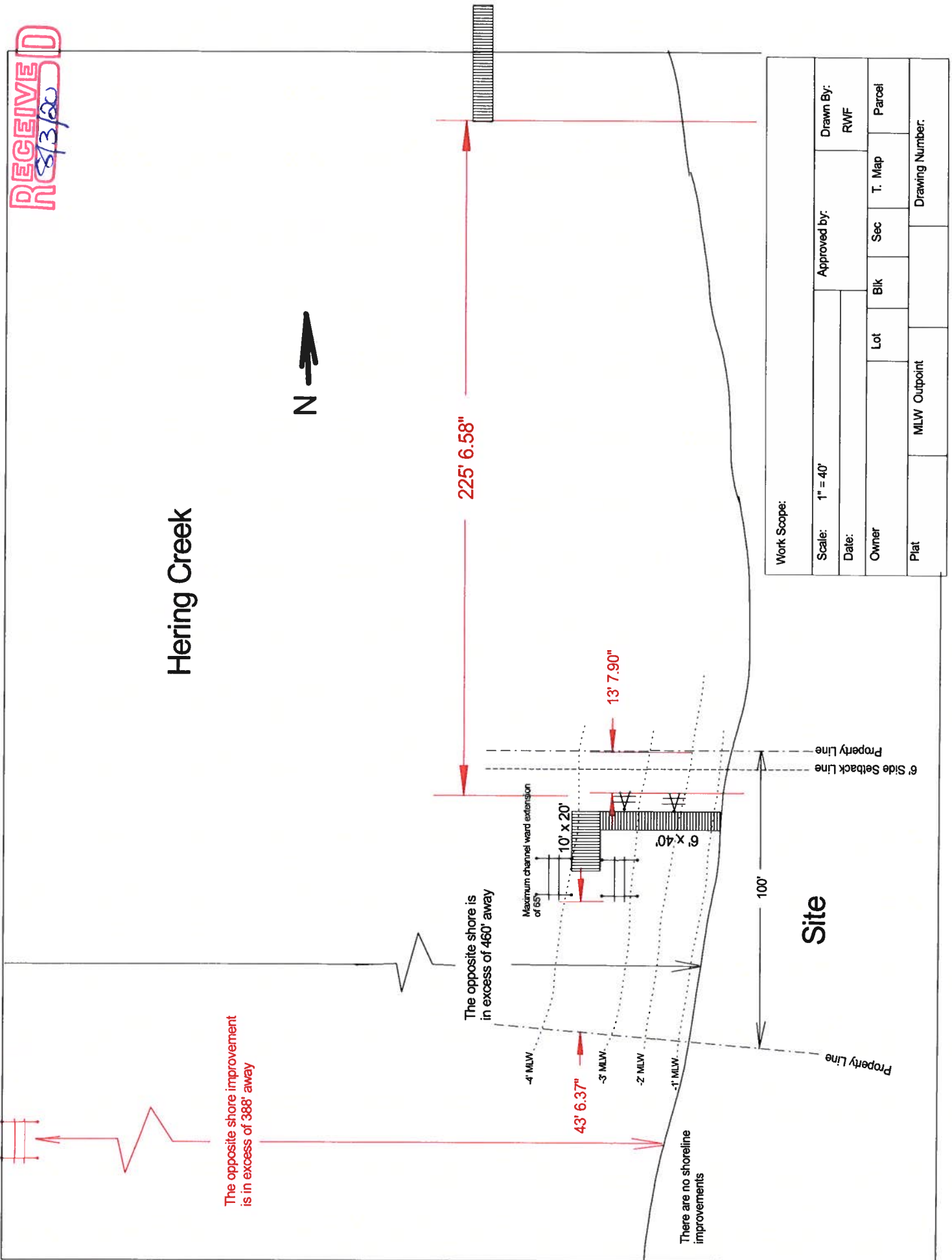
Tim Demarest/Ron Freund POA Owner/Applicant's Signature Date

***** LOA-100 *****

DEPT. USE ONLY: Notification Distribution Date: 8/4/20 Public Comment Deadline: 8/19/20 (15 calendar days) Department Approval Date: Expiration:

RECEIVED
8/3/00

Hering Creek



Work Scope:

Scale: 1" = 40'

Date:

Owner:

Approved by:

Drawn By:

RWF

Parcel

T. Map

Sec

Blk

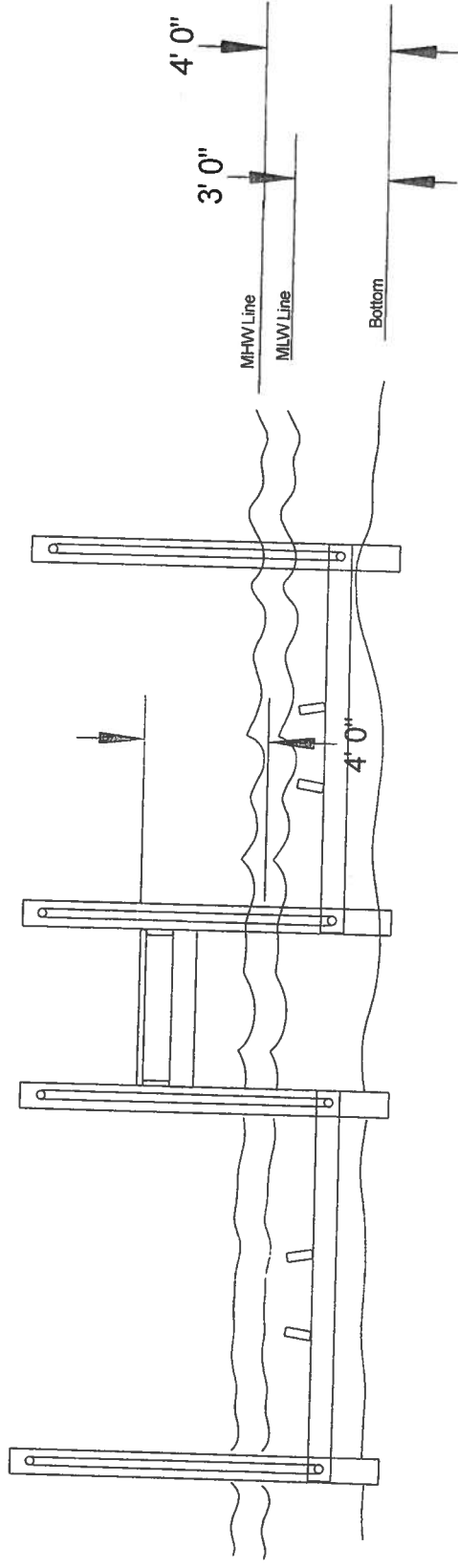
Lot

MLW Outpoint

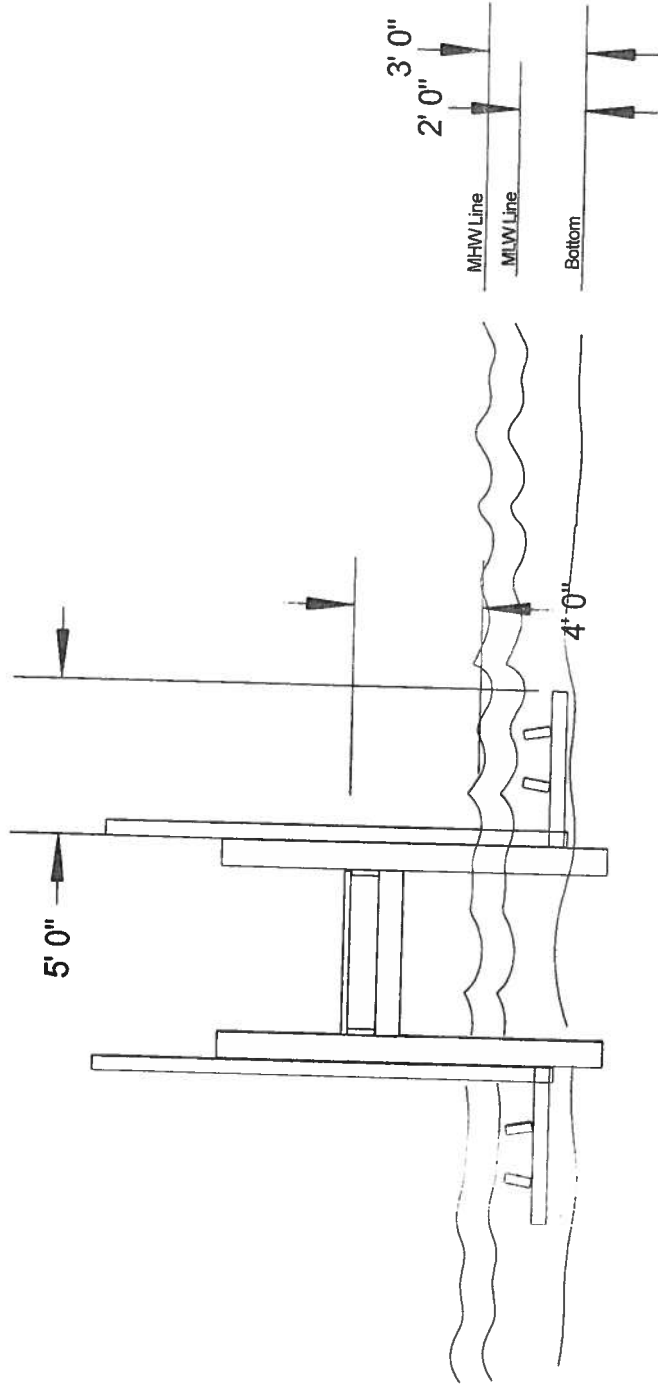
Drawing Number:

Site

**Boatlift Cross Section
12226 Greenridge Lane Road
Ocean City, MD 21842**



PWC lifts
12226 Greenridge Lane Road
Ocean City, MD



Untitled Map

Write a description for your map.

Legend

- 📍 12226 Greenridge Lane Rd
- ⋯ Line Measure

Greenrid

📍 12226 Greenridge Lane Rd



200 ft

Google earth

© 2020 Google