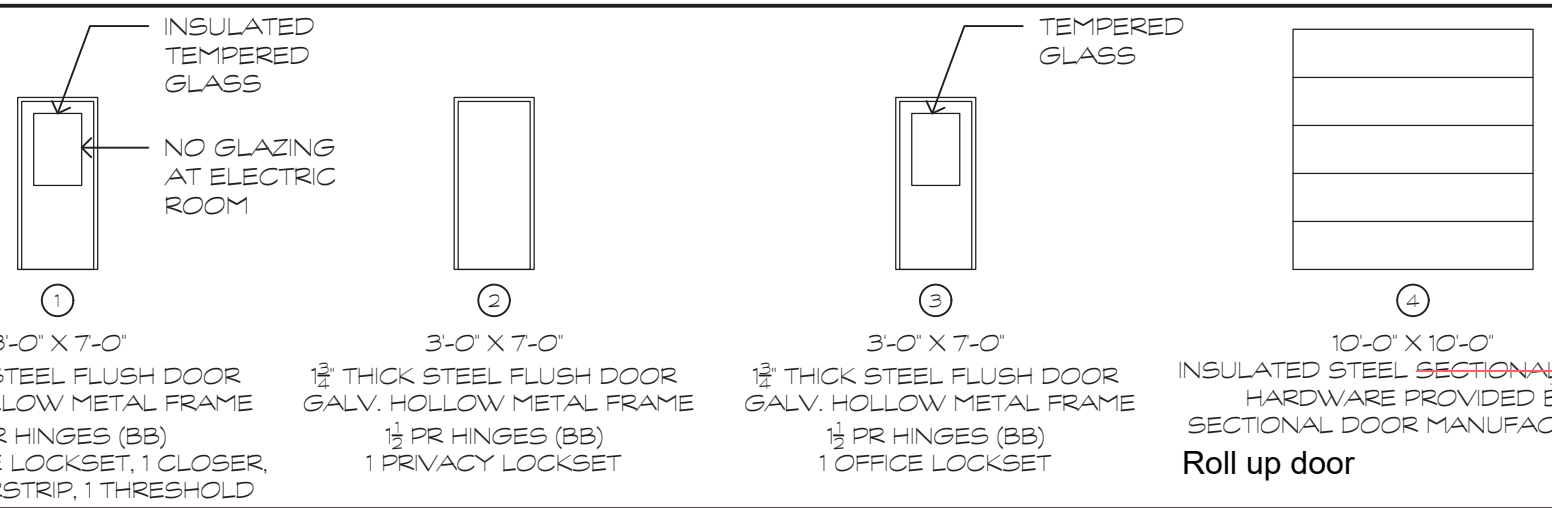


PRINTS ISSUED FOR

• REVIEW	

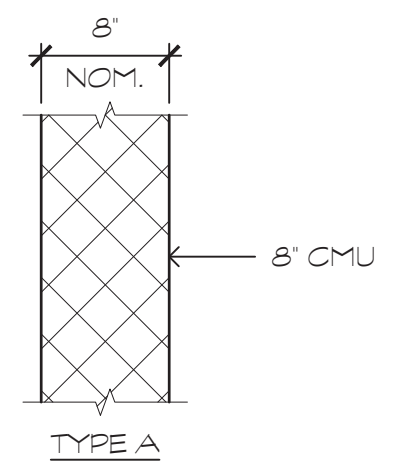
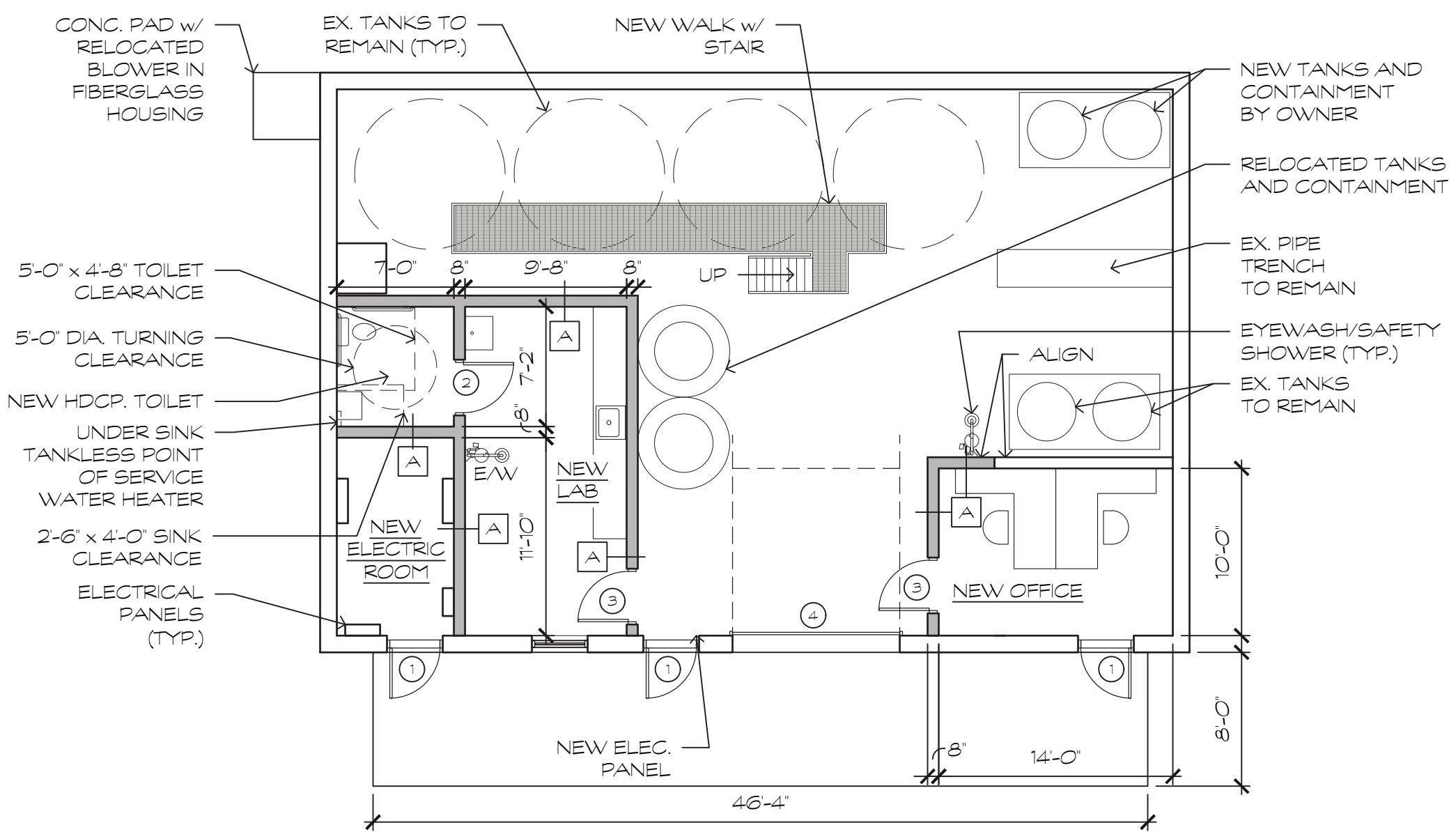


LEGEND:



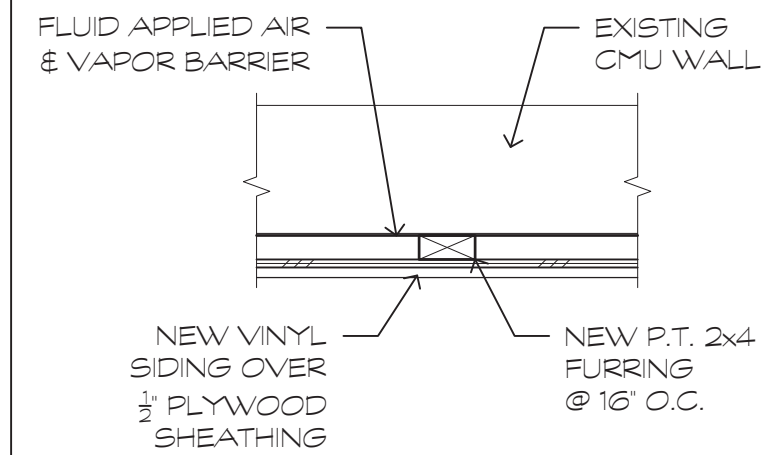
DOOR SCHEDULE

1/8" = 1'-0"



WALL TYPE

1" = 1'-0"



1 FLOOR PLAN

1/8" = 1'-0"



FURRING DETAIL

1" = 1'-0"



FEASIBILITY STUDY FOR:
MYSTIC HARBOR - WATER BUILDING
OCEAN CITY, MARYLAND

FLOOR PLAN

SCALE	: AS NOTED
DESIGN BY	: MHH
DRAWN BY	: LKW
CHECKED BY	: MHH
GMB FILE	: 210218
DATE	: 9-17-21

A1.1









Warning
Dillon

WARNING: THIS PRODUCT IS NOT TO BE USED AS A SUPPORT FOR ANY LOADS EXCEPT THOSE SPECIFIED IN THE INSTRUCTIONS. FAILURE TO FOLLOW THESE INSTRUCTIONS MAY RESULT IN PERSONAL INJURY OR PROPERTY DAMAGE.









Dika
HIGH PERFORMANCE FOAM INSULATION BOARD

3/4 inch	R-2.8
1 inch	R-5.0
1 1/2 inch	R-6.0
2 inch	R-7.5

ADVANTAGES

- High R-value per inch
- Moisture resistant
- Fire resistant
- Sound dampening
- Easy to install
- Long life span

PRO
HIGH PERFORMANCE FOAM INSULATION BOARD

3/4 inch	R-2.2
1 inch	R-5.0
1 1/2 inch	R-6.0
2 inch	R-7.5

ADVANTAGES

- High R-value per inch
- Moisture resistant
- Fire resistant
- Sound dampening
- Easy to install
- Long life span





Yellow warning label on the left side of the door.

Four small black arrows pointing upwards, located at the bottom right corner of the door.

